



F. No.2(7)/2021/AICRP-PHT/Estate

Date: 05.03.2022

To

M/s. Stone Hat Technologies,
62C, Siruvani Main Road,
Coimbatore, Tamil Nadu.

Sub: Work "Design and fabrication of prototype of a "Hydraulic cocoa butter extractor" for the production of dark chocolate."-reg.

Ref: Your quotation dated 28.02.2022

Sir,

Your quotation cited above to execute the work "Design and fabrication of prototype of a "Hydraulic cocoa butter extractor" for the production of dark chocolate at a total cost of Rs.2,19,520/- (Rupees two lakh nineteen thousand five hundred and twenty Only) (including tax) has been accepted by the Competent Authority and accordingly the work is hereby awarded to you for execution. You are therefore requested to take up the work and complete the same within 15 days. The order is further subject to the following terms and conditions.

Terms and conditions

1. The work should be executed strictly as per the directions from **Dr. Pandiselvam, Scientist** of this Institute from time to time.
2. The Institute will not be responsible for any loss/damage/casualty suffered by the Contractor while executing the work, provided there wasn't any mistake on the part of the contractor.
3. Any loss or damage etc. caused to the Institute properties while carrying out the work should be made good failing which necessary action will be initiated to recover the cost of the same.
4. No work tools/implements will be supplied by this Institute.
5. The payment will be made only after satisfactory completion of the whole work to our satisfaction & as per specification. No part payment is payable.
6. Non-completion of the work or part thereof for any invalid reasons within the period prescribed is liable for cancellation and no claims for such works will be entertained under any circumstances and deposits made thereof will be forfeited.
7. Not less than minimum rate of wages fixed for the respective category should be paid to the workers. All requirements under labour laws should be fulfilled
8. **Defects liability period:** Performance Security will be released only after six months plus sixty days beyond the date of completion of all contractual obligations of the supplier including contractual obligations from the date of completion of the work provided that the contractor has attended to all the complaints informed to him within the liability period.
9. Any defective workmanship found shall be rectified at his cost which may include the materials spoilt/wasted paints due to negligence etc. The contractor or his worker should not waste the water from the office building.
10. On completion of the work it should be ensured that premises & its surroundings are cleaned (including removal of paints fallen etc.)
11. The contractor shall, on written request of the Director or his representative on the site, immediately dismiss from the work any person employed by him thereon, who may in the

opinion of the Director be incompetent or misbehaves himself and such persons shall not again allowed to work without written permission of the Director.

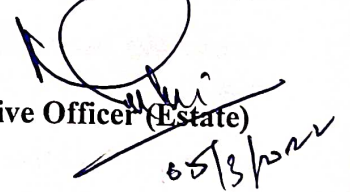
12. Income Tax will be deducted as per rule from the work bill. GST and other tax if applicable will be paid directly to the concerned department by the contractor as per rule and same show in the final bill. Further after remittance copy of the same should be furnished at this Office. The performance security amount will be released after getting the GST details.
13. Prior approval shall be obtained for the material used for the work from Engineer in-charge
14. Any compensation paid to the worker or parties hired through contractor, shall be recovered from the contractor as per the guidelines issued by ICAR vide OM No.Admn-22(6)/2018-Estt.III dated 31.07.2018
15. **The period of 15 days allowed for carrying out the work will be reckoned within 7 days from the date of receipt of this order.**
16. The contractor shall debit the Performance Security within 7 days from the issue of work order. The period can be further extended at the written request of the contractor for the period of 10 days with late fee at the rate of 0.1% per day of Performance Security amount.
17. The work should be completed within the time limit itself, failing which the work order will be cancelled and action taken to complete the remaining work at your risk and cost including forfeiture of security deposit.
18. In case any extension of time is granted beyond the stipulated period for completion of the work due to any unavoidable genuine circumstances, as may be decided by the competent authority, **penalty clause to be imposed @ 0.25% per month (maximum to 2.5% of the total cost of the work) if work not completed within schedule time or within mutually extended period.**
19. The Director of this Institute reserves the right to reject the work as a whole, if the execution is not satisfactory or does not conform to the approved specification.
20. Prior permission may be obtained for electricity/water facility, if required, subject to payment for the same. If water and electricity is available from the institute by the contract agency then 1.5% of the billed amount shall be deducted from the final bill. If only water supply is availed, then 1% of the billed amount shall be deducted. 0.5% in terms of electricity.

You may remit a Performance Security of **Rs.6586/- Rupees six thousand five hundred and eighty six only** being the 3% of contract value by DD, FD Receipt or Bank Guarantee from the Commercial Bank in an acceptable form before commencement of the work.

Please acknowledge receipt of this order and confirm acceptance within 3 days from the date of receipt of this letter.

Yours faithfully,

Asst. Administrative Officer (Estate)

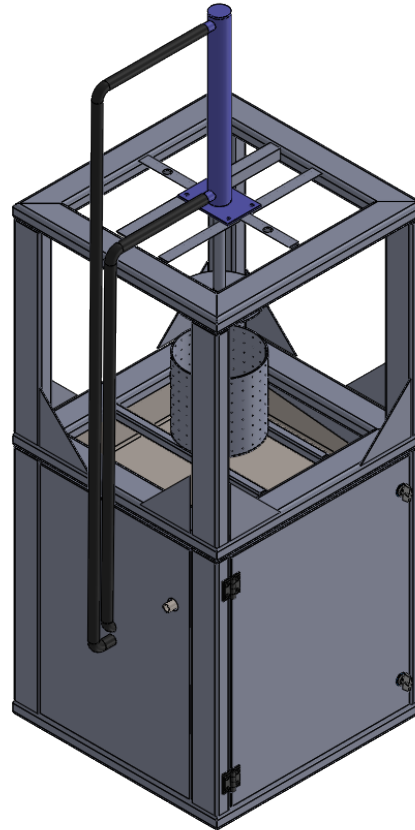


Encl: Schedule of work

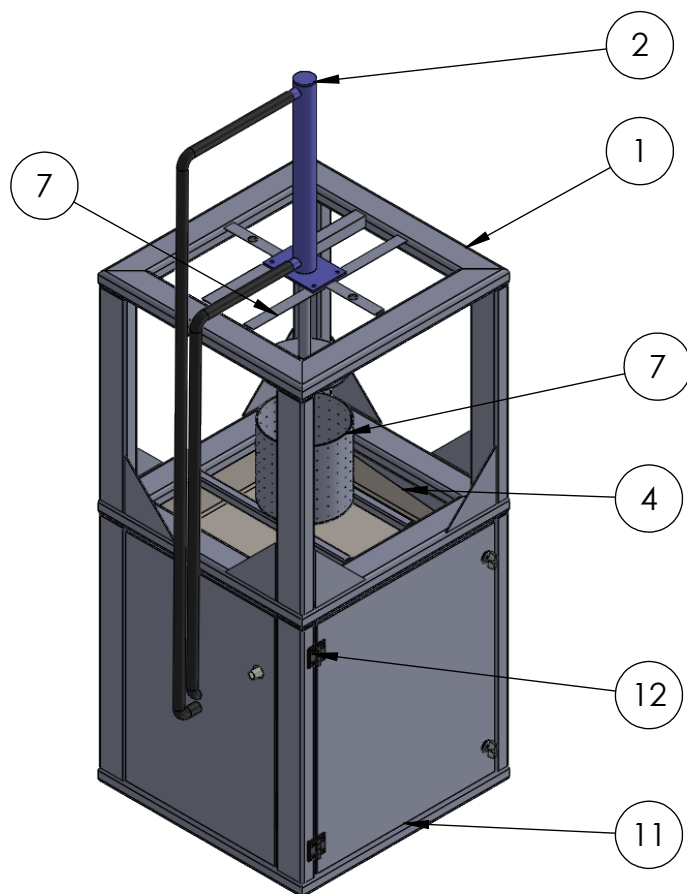
Copy to:

1. Dr. Pandiselvam, Scientist, CPCRI, Kasaragod (It may please be ensured that the contractor is permitted to commence the work at the work site immediately on receipt of security deposit. It may be ensured work is completed within the prescribed time and according to the specifications as approved. The date of commencement of the work awarded may be intimated and progress of work reported periodically)
2. Assistant Labour Commissioner(Central), Office of the Regional Labour Commissioner, Kendriya Shram Sadan, Olimugal, By pass Road, Kakkanad, Kochi 682 030.
3. Finance & Accounts Officer, CPCRI, Kasaragod
4. AAO (Bills), CPCRI, Kasaragod.
5. CPCRI, Website.

HYDRAULIC COCO POWDER PRESSING UNIT

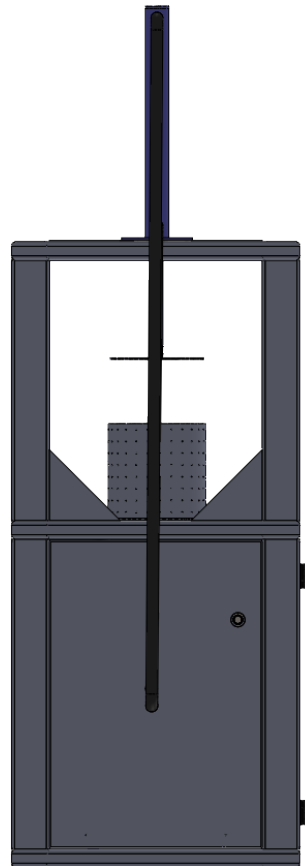


MATERIAL	SPECIFICATION	NET. WT	NO. OFF.
COMPUTER AIDED DESIGN CELL			
TITLE: HYDRAULIC COCO POWDER PRESSING UNIT			
ALL DIMENSIONS ARE IN mm STANDARD TOLERANCES AS PER IS:919 LINEAR : ±0.1 ANGULAR : ±0.5°	SCALE: NTS	DESIGN	USED IN:
	CAD		DWG No:
	CHECKED		SHEET :
	APPROVED		A4
ICAR-CENTRAL PLANTATION CROPS RESEARCH INSTITUTE			

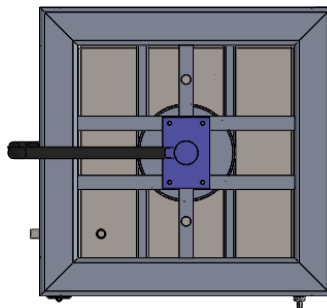
HYDRAULIC COCO POWDER PRESSING UNIT**BILL OF MATERIALS:**

1	FRAME	80X40X2 mm
2	HYDRAULIC CYLINDER	PISTON ROD 32 mm L=450 mm
3	HYDRAULIC POWER PACK	MOTOR =2 HP/30 LITRE
4	COLLECTION TRAY	
5	HYDRAULIC CYLINDER MOUNT	L ANGLE 35X35X5 mm
6	SLOTTED DRUM	
7	DRUM BOTTOM COVER	
8	SIDE COVER	MEDIUM STEEL T=1.5 mm
9	HANDLE /HINGES/FASTENER	

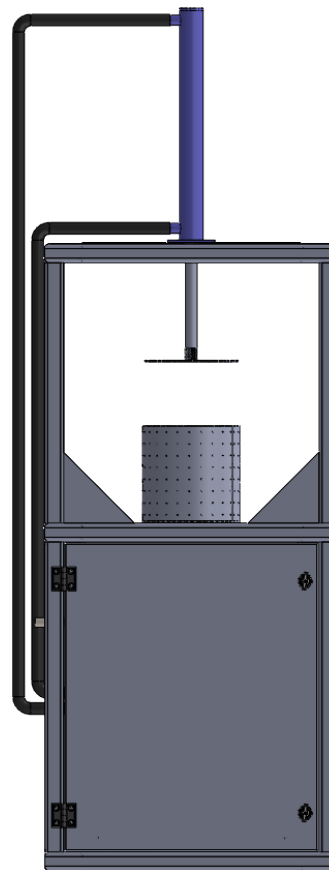
MATERIAL	SPECIFICATION	NET. WT	NO. OFF.
COMPUTER AIDED DESIGN CELL			
ALL DIMENSIONS ARE IN mm STANDARD TOLERANCES AS PER IS:919 LINEAR : ±0.1 ANGULAR : ±0.5°			
TITLE: HYDRAULIC COCO POWDER PRESSING UNIT			
SCALE: NTS	DESIGN	USED IN:	
	CAD	DWG No:	
	CHECKED	SHEET :	A4
	APPROVED		
ICAR-CENTRAL PLANTATION CROPS RESEARCH INSTITUTE			

SIDE VIEW

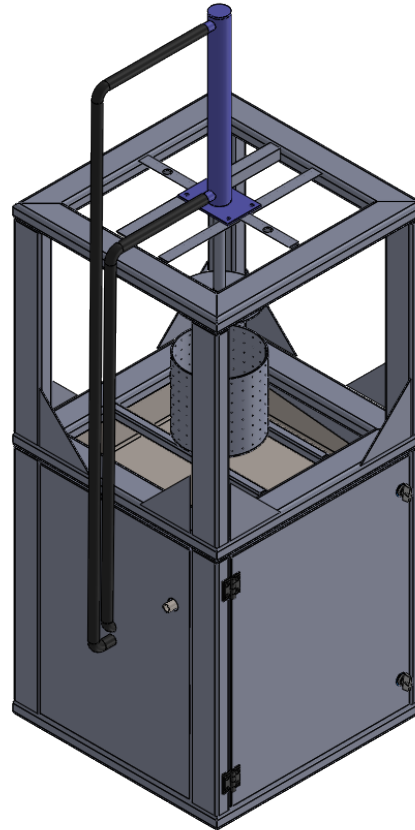
MATERIAL	SPECIFICATION		NET. WT	NO. OFF.
ALL DIMENSIONS ARE IN mm STANDARD TOLERANCES AS PER IS:919 LINEAR : ±0.1 ANGULAR : ±0.5°	COMPUTER AIDED DESIGN CELL			
	TITLE: HYDRAULIC COCO POWDER PRESSING UNIT			
SCALE: NTS	DESIGN		USED IN:	
	CAD		DWG No:	
	CHECKED		SHEET :	A4
	APPROVED			
ICAR-CENTRAL PLANTATION CROPS RESEARCH INSTITUTE				

TOP VIEW

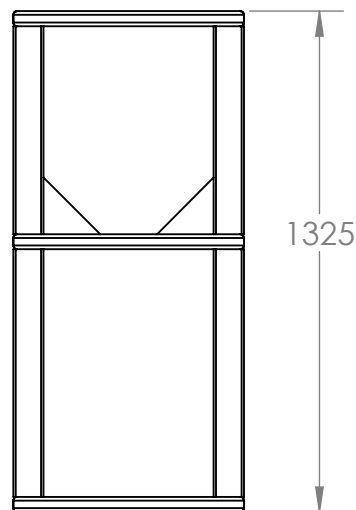
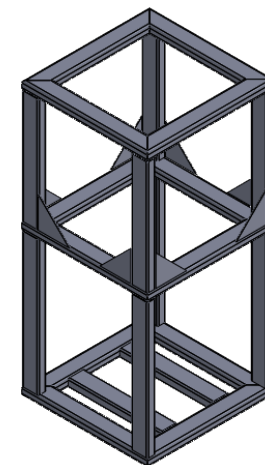
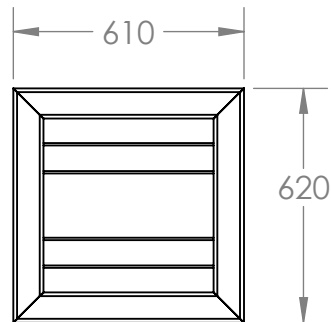
MATERIAL	SPECIFICATION		NET. WT	NO. OFF.
ALL DIMENSIONS ARE IN mm STANDARD TOLERANCES AS PER IS:919 LINEAR : ±0.1 ANGULAR : ±0.5°	COMPUTER AIDED DESIGN CELL			
	TITLE: HYDRAULIC COCO POWDER PRESSING UNIT			
	SCALE: NTS	DESIGN	USED IN:	
		CAD	DWG No:	
CHECKED		SHEET :	A4	
APPROVED				
ICAR-CENTRAL PLANTATION CROPS RESEARCH INSTITUTE				

FRONT VIEW

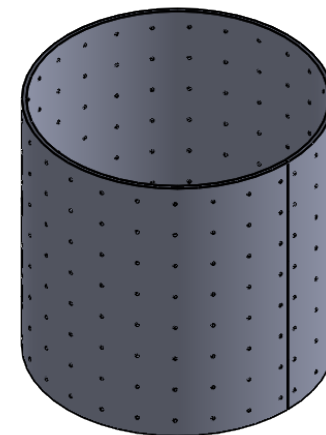
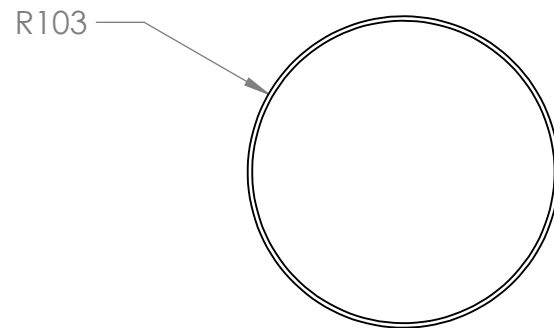
MATERIAL	SPECIFICATION		NET. WT	NO. OFF.
ALL DIMENSIONS ARE IN mm STANDARD TOLERANCES AS PER IS:919 LINEAR : ±0.1 ANGULAR : ±0.5°	COMPUTER AIDED DESIGN CELL			
	TITLE: HYDRAULIC COCO POWDER PRESSING UNIT			
SCALE: NTS	DESIGN		USED IN:	
	CAD		DWG No:	
	CHECKED		SHEET :	A4
	APPROVED			
ICAR-CENTRAL PLANTATION CROPS RESEARCH INSTITUTE				

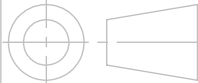
ISOMETRIC VIEW

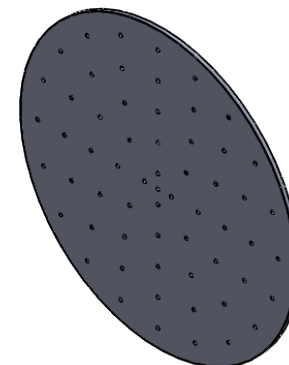
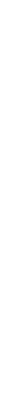
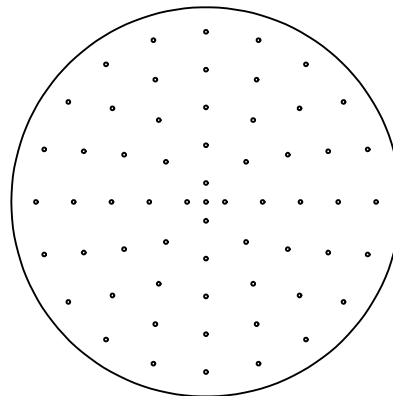
MATERIAL	SPECIFICATION		NET. WT	NO. OFF.
ALL DIMENSIONS ARE IN mm STANDARD TOLERANCES AS PER IS:919 LINEAR : ±0.1 ANGULAR : ±0.5°	COMPUTER AIDED DESIGN CELL			
	TITLE: HYDRAULIC COCO POWDER PRESSING UNIT			
SCALE: NTS	DESIGN		USED IN:	
	CAD		DWG No:	
	CHECKED		SHEET :	A4
	APPROVED			
ICAR-CENTRAL PLANTATION CROPS RESEARCH INSTITUTE				



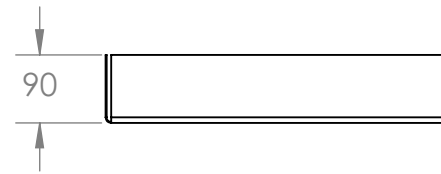
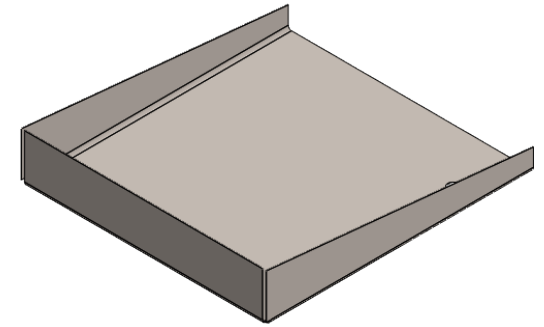
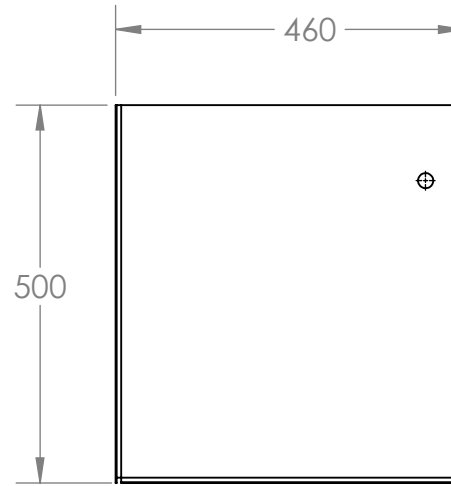
MATERIAL	SPECIFICATION	NET. WT	NO. OFF.
ALL DIMENSIONS ARE IN mm STANDARD TOLERANCES AS PER IS:919 LINEAR : ±0.1 ANGULAR : ±0.5°	COMPUTER AIDED DESIGN CELL		
	TITLE: FRAME		
	SCALE: NTS	DESIGN	USED IN:
		CAD	DWG No:
CHECKED		SHEET :	
APPROVED		A4	
ICAR-CENTRAL PLANTATION CROPS RESEARCH INSTITUTE			



MATERIAL	SPECIFICATION	NET. WT	NO. OFF.
COMPUTER AIDED DESIGN CELL			
<small>ALL DIMENSIONS ARE IN mm STANDARD TOLERANCES AS PER IS:919 LINEAR : ±0.1 ANGULAR : ±0.5°</small>			
TITLE: FILTER DRUM			
SCALE: NTS	DESIGN	USED IN:	
	CAD	DWG No:	
	CHECKED	SHEET :	A4
	APPROVED		
ICAR-CENTRAL PLANTATION CROPS RESEARCH INSTITUTE (ICAR-CPCRI) KASARAGOD			



MATERIAL	SPECIFICATION	NET. WT	NO. OFF.
COMPUTER AIDED DESIGN CELL			
<small>ALL DIMENSIONS ARE IN mm STANDARD TOLERANCES AS PER IS:919 LINEAR : ±0.1 ANGULAR : ±0.5°</small>			
TITLE: BOTTOM COVER			
SCALE: NTS	DESIGN	USED IN:	
	CAD	DWG No:	
	CHECKED	SHEET :	A4
	APPROVED		
ICAR-CENTRAL PLANTATION CROPS RESEARCH INSTITUTE			



MATERIAL	SPECIFICATION		NET. WT	NO. OFF.
ALL DIMENSIONS ARE IN mm STANDARD TOLERANCES AS PER IS:919 LINEAR : ±0.1 ANGULAR : ±0.5°	COMPUTER AIDED DESIGN CELL			
	TITLE: COLLECTING TRAY			
SCALE: NTS	DESIGN		USED IN:	
	CAD		DWG No:	
	CHECKED		SHEET :	A4
	APPROVED			
ICAR-CENTRAL PLANTATION CROPS RESEARCH INSTITUTE				